



CDN M1-10 COUPLING / DECOUPLING NETWORK (CDN) CDN M TYPE FOR 10 KHZ to 80 MHZ



IEC/EN 61000-4-6 specifies the design and performance of a range of coupling/decoupling networks (CDNs). Each CDN is specific to the type of cable and the intended signal carried on the cable. In addition to IEC/EN 61000-4-6 some standards require similar performance over the frequency range 10 kHz to 80 MHz.

Teseq offers CDNs also for this frequency range. Not listed CDNs may also be available. Please contact Teseq for details.

The CDN M1 is made for single line application as used for example as additional earth connection for medical devices.



CDN M1-10

- Designed for IEC/EN 61000-4-6 with extended range from 10 kHz to 80 MHz
- For PE line application
- 4 mm banana sockets

Technical specifications

Frequency range:	10 kHz to 80 MHz
Power rating (EUT- and AE port)	
Current max :	1 A
Common mode impedance (EUT port)	
10 kHz to 26 MHz:	150 Ω ±20 Ω
26 MHz to 80 MHz:	150 Ω +60 Ω / -45 Ω
Coupling path (In/Out port/EUT)	
Connection:	BNC 50 Ω
RF voltage:	<20 V
Voltage division factor (RF input to EUT port)	
10 kHz to 80 MHz:	10 dB ±1 dB
Insertion loss (EUT / AE) f < 400 Hz:	<0.1 dB

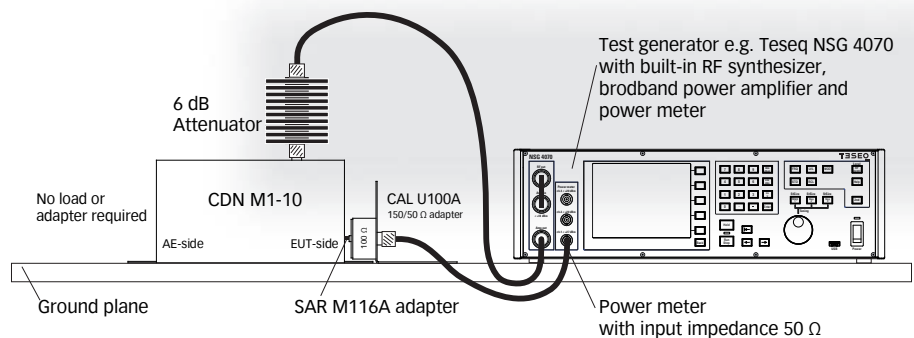
Mechanical specifications

Size (W x H x D):	100 mm x 100 mm x 240 mm
Weight:	approx. 1.5 kg

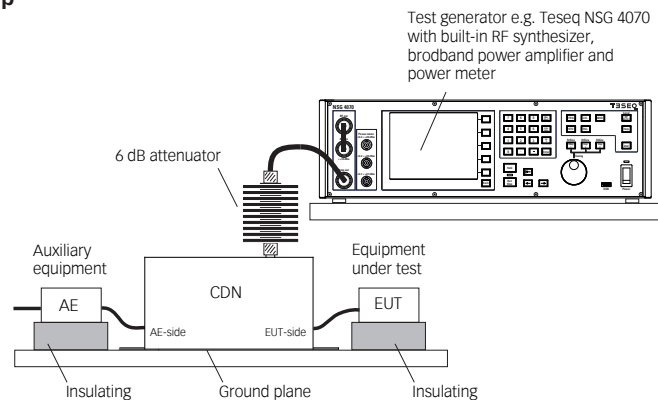
CDN M1-10

COUPLING / DECOUPLING NETWORK (CDN) CDN M TYPE FOR 10 KHz to 80 MHz

Test set-up calibration with CDN M1-10



EUT test set-up



Delivery information

Part number	Description
242475	CDN M1-10 CDN M1, 1 A, 10 kHz-80 MHz (banana), PE
97-231024	CDN-TC Traceable calibration (ISO17025) for IEC 61000-4-6 requirements, order only with device CDN M, AF, S or T00x type
242401	CAL U100A Universal calibration unit in safety design (150 Ω /50 Ω adapter)
242431	SAR M116A Shorting safety adapter for CDN M116